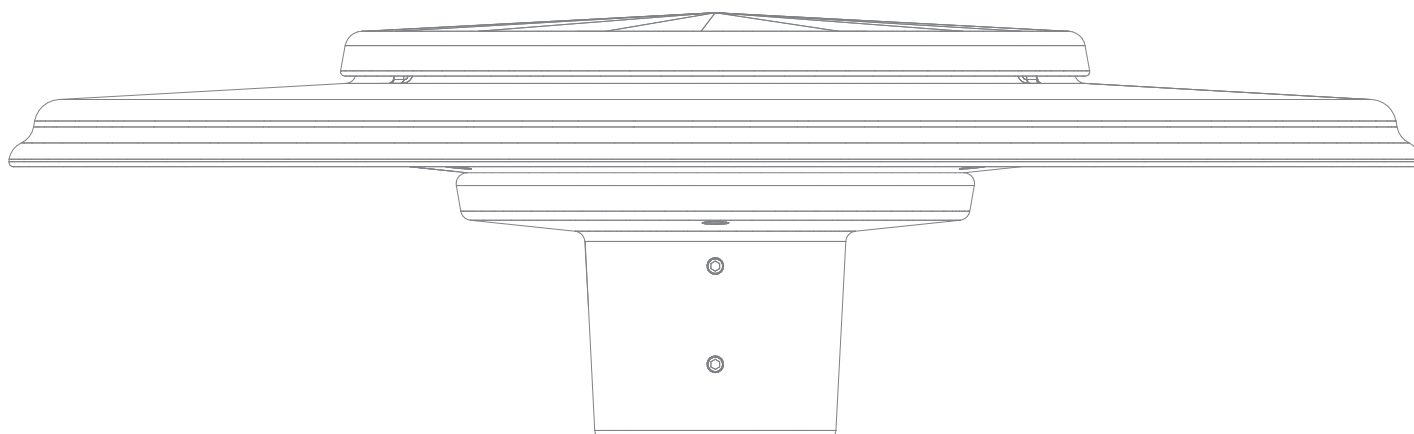


HIGH EFFICIENCY
LED PARKING LIGHTS



AEROLITE LPL[®]

60



Inviting atmosphere with bright lighting
Cutting edge light performance
Very low energy consumption
Environmentally friendly ECO technology
Parking lots, parks, city centres, promenades

efficiently illuminating your way

GRAH[®]
LED LIGHTING



360° Approach

With our own and **integrated 360° Approach™**, every single component of the luminaire is studied and constantly optimized from a totally new perspective to achieve unique innovative solutions in LED lighting.

Luxeon Rebel LEDs - top quality, awarded LEDs

LED GENION bar™ - optimized LED modules exploiting every LED source to the fullest extent

QUADRUM optics™ - FULL CUTOFF optics (IES and IDA standards) with high efficient reflector system directs light beams exactly where needed for achieving cutting edge light performance

I-NFINITY driver™ - customized, intelligent driver for optimal operation with ultra energy efficient output

MATRIX 3D light™ - unique light shape with symmetric distribution of luminosity for best possible light uniformity and optimal covering of surfaces

COOLVERT™ - uniquely optimized heat dissipation extends life time and preserves light performance

AEROCOMPACT housing™ - aerodynamic, ultra slim luminaire with robust housing from aluminium alloy enabling increased overall performance and extended lifetime

ULTRA COATING™ - life time multi layer protection of casing for excellent durability

DIMMING



50% dimming with power line.

The luminaire has also ability to regulate light current from 1-100% with a rudder signal from 1-10 V.

APPLICATION

- Parking lots
- Parks
- City centres
- Promenades



TECHNICAL DATA

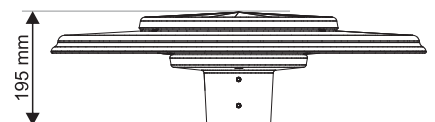
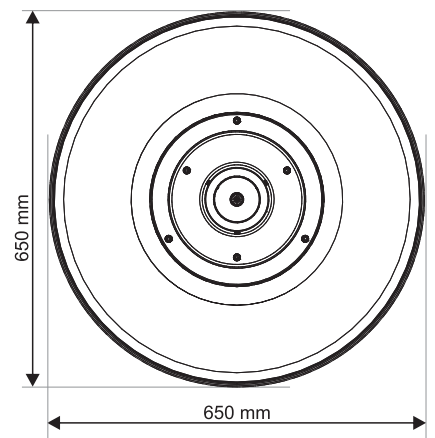
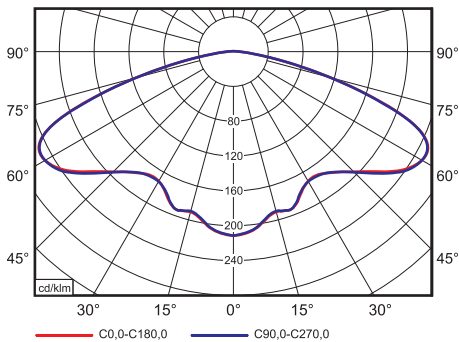
AEROLITE LPL® 60

Light source	60 high power LEDs by Lumileds
Voltage	110 – 250 V (50 – 60 Hz)
Driving current	500 mA
Power consumption	93 W
Luminaire flux	7,100 lm
Colour temperature	4200 K (other colour temperatures on request)
System luminous efficiency	Up to 100 lm/W
Lifetime	60,000 – 100,000 hours
Ingress protection	IP65
Shock protection	IK08
Protection class	I
Temperature range	-30 to +60 °C
Operating temperature	+55 °C
Material	Housing: aluminium alloy Housing sealing: silicone, heat resistant Cover: PMMA
Housing colour	DB 702 (other colours on request)
Dimming	0 % / 50 % / 1 – 10 V
Weight	15.00 kg
Product dimensions (LxWxH)	650 mm x 650 mm x 195 mm



LIGHT DISTRIBUTION

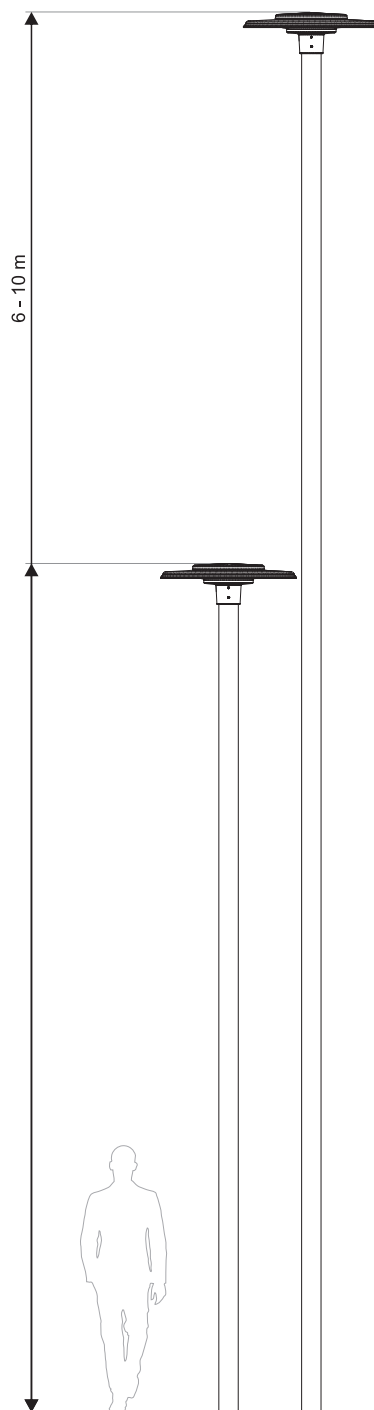
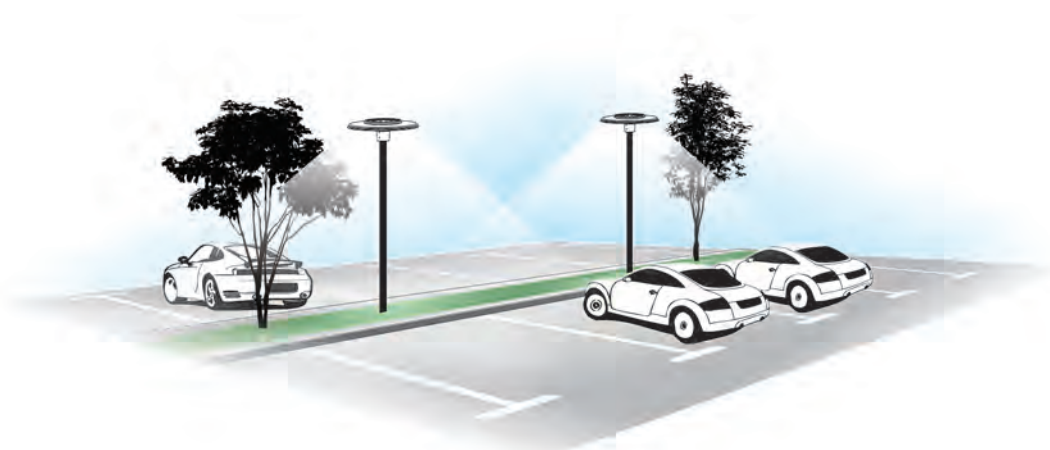
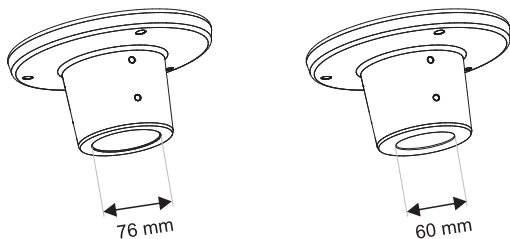
Symmetric, 7,100 lm



MOUNTING

LPL® series together with recommended mounting height offers optimal solutions for all applications.

- Fast and universal mounting to a lamppost with a diameter of 76 or 60 mm.
- Post-top mounting.
- Round shaped light output.
- Alternative mounting concepts possible on request.



Distributor

www.grahlighting.com

Manufacturer reserves all rights to make changes in materials and components used in its products. All data are subject to change without prior notification.

GRAH[®]
LED LIGHTING