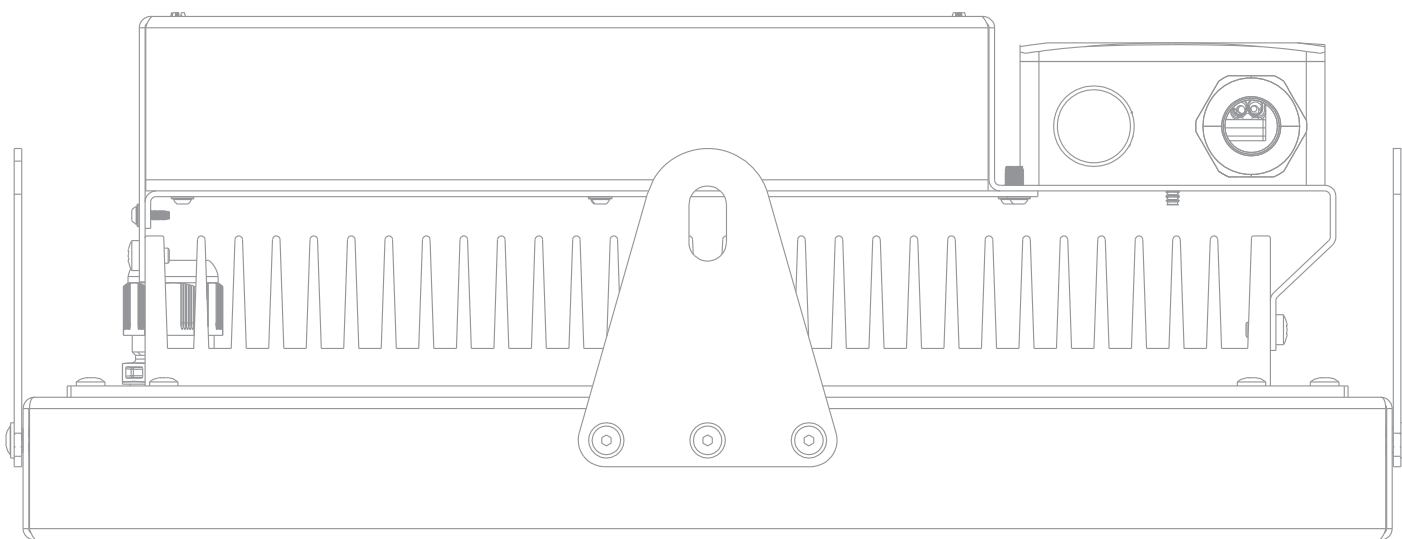


HIGH EFFICIENCY
LED COMMERCIAL LIGHTS



TERRALITE LCL[®]

90



Robust housing and fast mounting

Cutting edge light performance

Very low energy consumption

Environmentally friendly ECO technology

Gas stations, warehouses, production areas, shopping centers, sport facilities

efficiently illuminating your way

GRAH[®]
LED LIGHTING



360° Approach

With our own and **integrated 360° Approach™**, every single component of the luminaire is studied and constantly optimized from a totally new perspective to achieve unique innovative solutions in LED lighting.

Luxeon Rebel LEDs - top quality, awarded LEDs

LED GENION bar™ - optimized LED modules exploiting every LED source to the fullest extent

QUADRUM optics™ - high efficient reflector directs light beams exactly where needed for achieving cutting edge light performance

I-NFINITY driver™ - customized, intelligent driver for optimal operation with ultra energy efficient output

MATRIX 3D light™ - unique light shape with symmetric distribution of luminosity for best possible light uniformity and optimal covering of surfaces

COOLVERT™ - uniquely optimized heat dissipation extends life time and preserves light performance

ROBUST housing - cast aluminium in combination with high strength steel with different RAL color shades possible

Additional **scatterglos reflector** to prevent glare

DIMMING

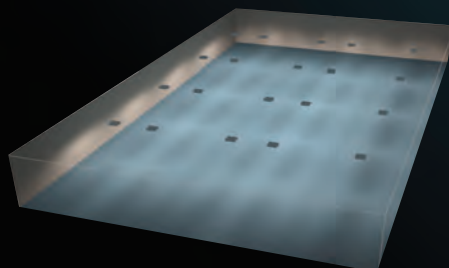
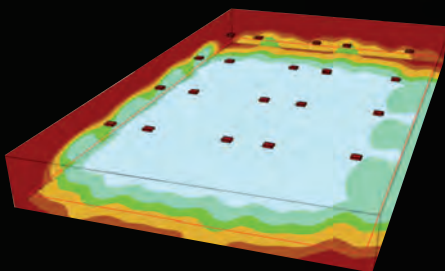


50% dimming with power line.

The luminaire has also ability to regulate light current from 1-100% with a rudder signal from 1-10 V.

APPLICATION

- Gas stations
- Warehouses
- Production areas
- Shopping centres
- Sport facilities



Illuminance [lx]



TECHNICAL DATA

TERRALITE LCL® 90

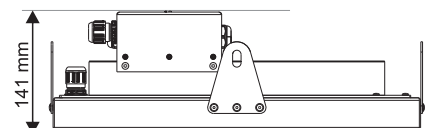
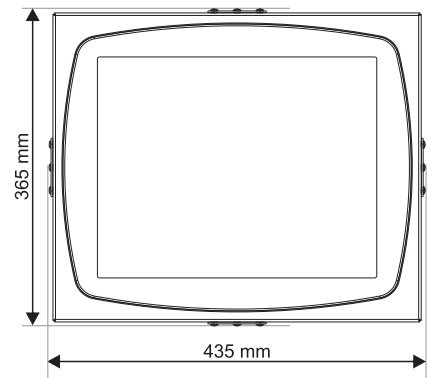
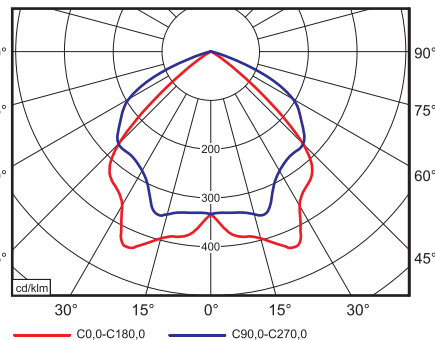
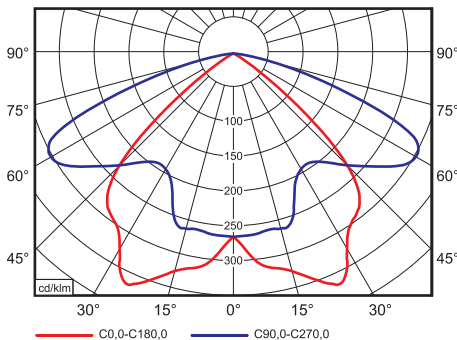
Light source	90 high power LEDs by Lumileds
Voltage	110 – 250 V (50 – 60 Hz)
Driving current	400 or 500 mA
Power consumption	106 – 136 W (depending on lumen package)
Luminaire flux	9,600 – 11,300 lm
Colour temperature	4200 K (other colour temperatures on request)
System luminous efficiency	Up to 100 lm/W
Optic pattern	Wide or narrow with less glare
Lifetime	60,000 – 100,000 hours
Ingress protection	IP54 (IP65 on request)
Shock protection	IK08 (IK10 on request)
Protection class	I
Temperature range	-30 to +60 °C
Operating temperature	+55 °C
Material	Housing: cast aluminium with high strength steel Housing sealing: silicone, heat resistant Cover: PMMA glass
Housing colour	RAL 9016 (other colours on request)
Dimming	0 % / 50 % / 1 – 10 V
Weight	10.70 kg
Product dimensions (LxWxH)	435 mm x 365 mm x 141 mm



LIGHT DISTRIBUTION

Symmetric, 11,300 lm, SA reflector

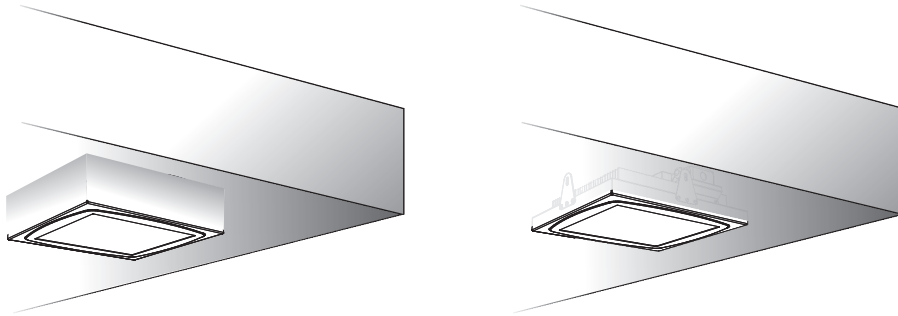
Symmetric, 11,300 lm, SB reflector



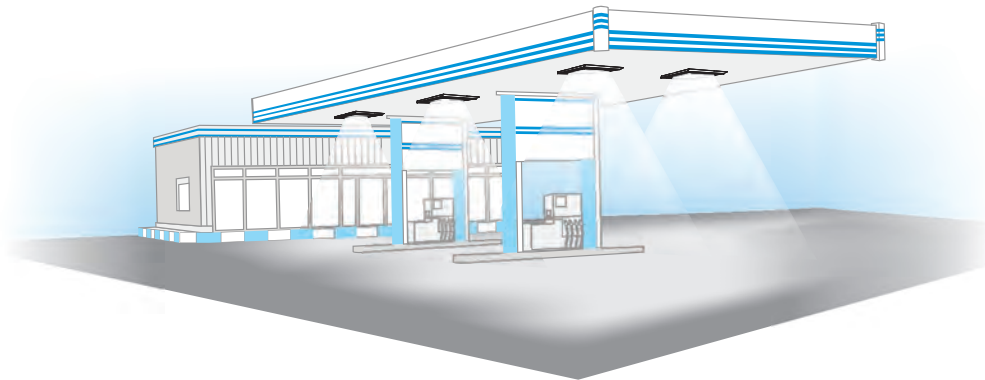
MOUNTING

LCL[®] series together with recommended mounting height offers optimal solutions for all applications.

- Fast and universal mounting with 4 fixing points under construction or directly screwed to construction.
- Top ceiling mounting frame.
- Flush ceiling mounting frame.
- Alternative mounting concepts possible on request.



min 4 m



Distributor

www.grahlighting.com

Manufacturer reserves all rights to make changes in materials and components used in its products.
All data are subject to change without prior notification.

GRAH[®]
LED LIGHTING